

## DÖVME ÇELİK, DIŞLI TAPA



3000 LB & 6000 LB  
ANSI B 16.11

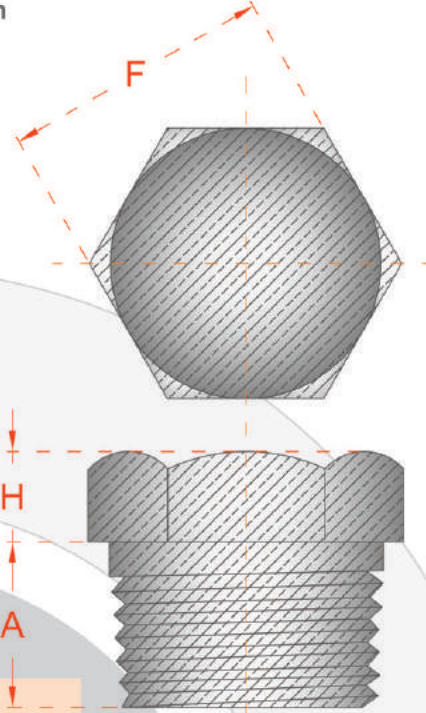


**E.M.P.**  
www.emp.com.tr  
www.empflans.com

## THREADED FORGED STEEL HEAD PLUG



3000 LB & 6000 LB  
ANSI B 16.11



	3000 LB & 6000 LB					
	A min.		F		H min.	
	mm	inc	mm	inc	mm	inc
1/4"	11	0.44	16.0	0.62	6	0.25
3/8"	12.5	0.50	17.5	0.69	8	0.31
1/2"	14.5	0.56	22.0	0.88	8	0.31
3/4"	16	0.62	27.0	1.06	10	0.38
1"	19	0.75	35.0	1.38	10	0.38
1 1/4"	20.5	0.81	44.5	1.75	14	0.56
1 1/2"	20.5	0.81	51.0	2.00	16	0.62
2"	22	0.88	63.5	2.50	17	0.69
2 1/2"	27	1.06	76.0	3.00	19	0.75
3"	28.5	1.12	89.0	3.50	21	0.81
4"	32	1.25	117.5	4.62	25	1.00

Ölçüler mm olarak verilmiştir.  
Çelik ve paslanmaz üretilebilir.

Dimensions are in mm.  
Steel and stainless steel can be produce